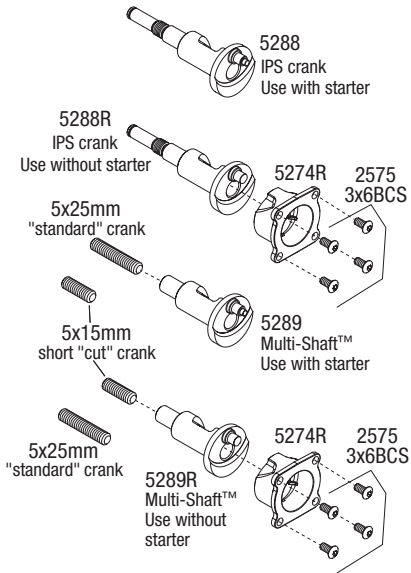
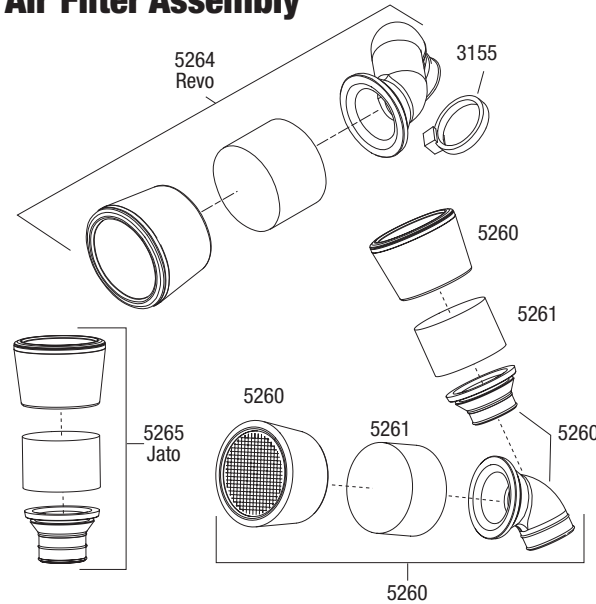


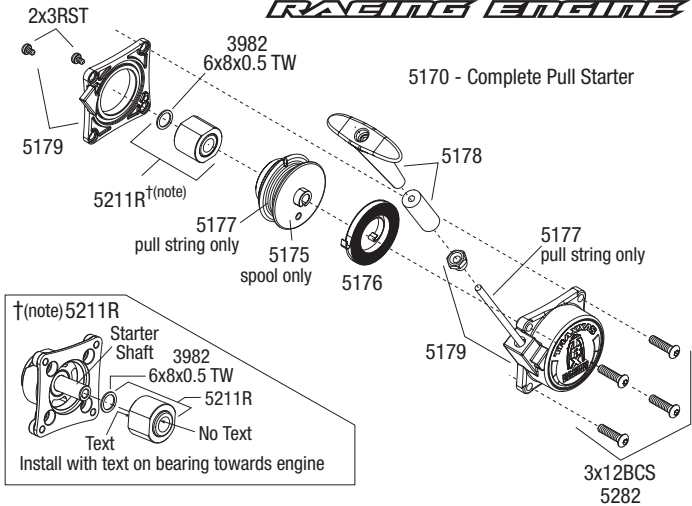
Crankshaft Assembly



Air Filter Assembly



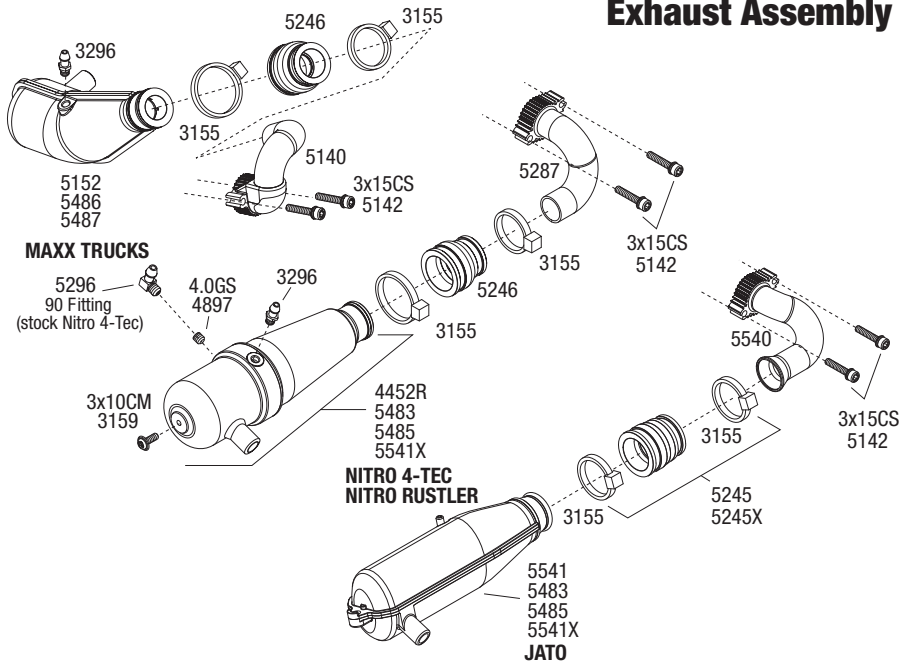
TRX3.3
RACING ENGINE



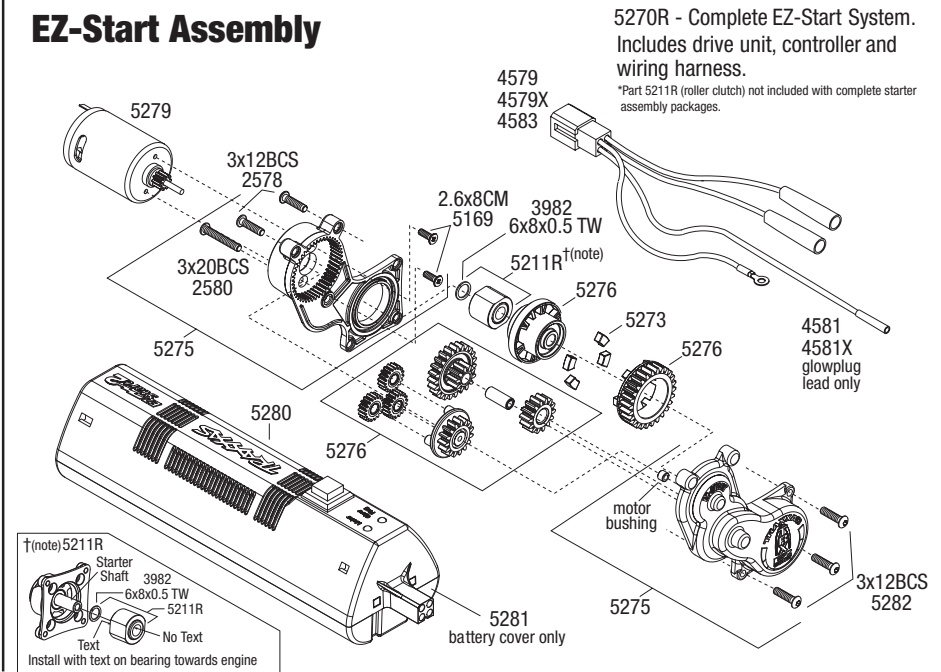
Pull Start Assembly

*Part 5211R (roller clutch) not included with complete starter assembly packages.

Exhaust Assembly



EZ-Start Assembly



Specifications on this page are subject to change without notice. Every attempt has been made to ensure the accuracy of this drawing, however Traxxas cannot be held responsible for typographical or other errors.